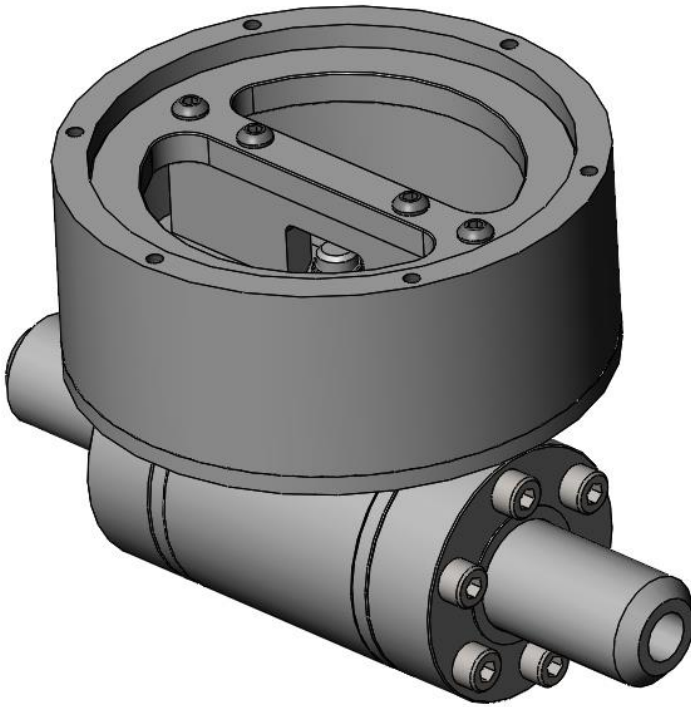


# Macduff Robotics

Intelligent Subsea Equipment



## Description:

ROV manipulator operated floating ball valve designed to be integrated into main pipework runs. Available with various pipe stubs in various pipe schedules upto XXS and in 1", 2", and 3" pipe sizes. Also available in various materials including stainless steel and duplex.

## Manipulator operated ball valve – pipe version

### MAIN FEATURES

- Manipulator operated
- Available in 1, 2, or 3" variants
- Bore matches pipe schedule upto XXS
- Various material options

### Further Information

Advanced spares kits also available

### Equipment supplied

Standard tool supply includes

- Valve assembly
- Maintenance Manual



info@macduff-robotics.com

## Specifications

Weight	.....	Dependent on size
Max pressure	.....	Dependent on pipe schedule

Information contained in this data sheet is up-to-date and correct as at the date of issue. All product designs, specifications and data are subject to change without notice to improve reliability, function, design or otherwise. No express or implied warranties are given.